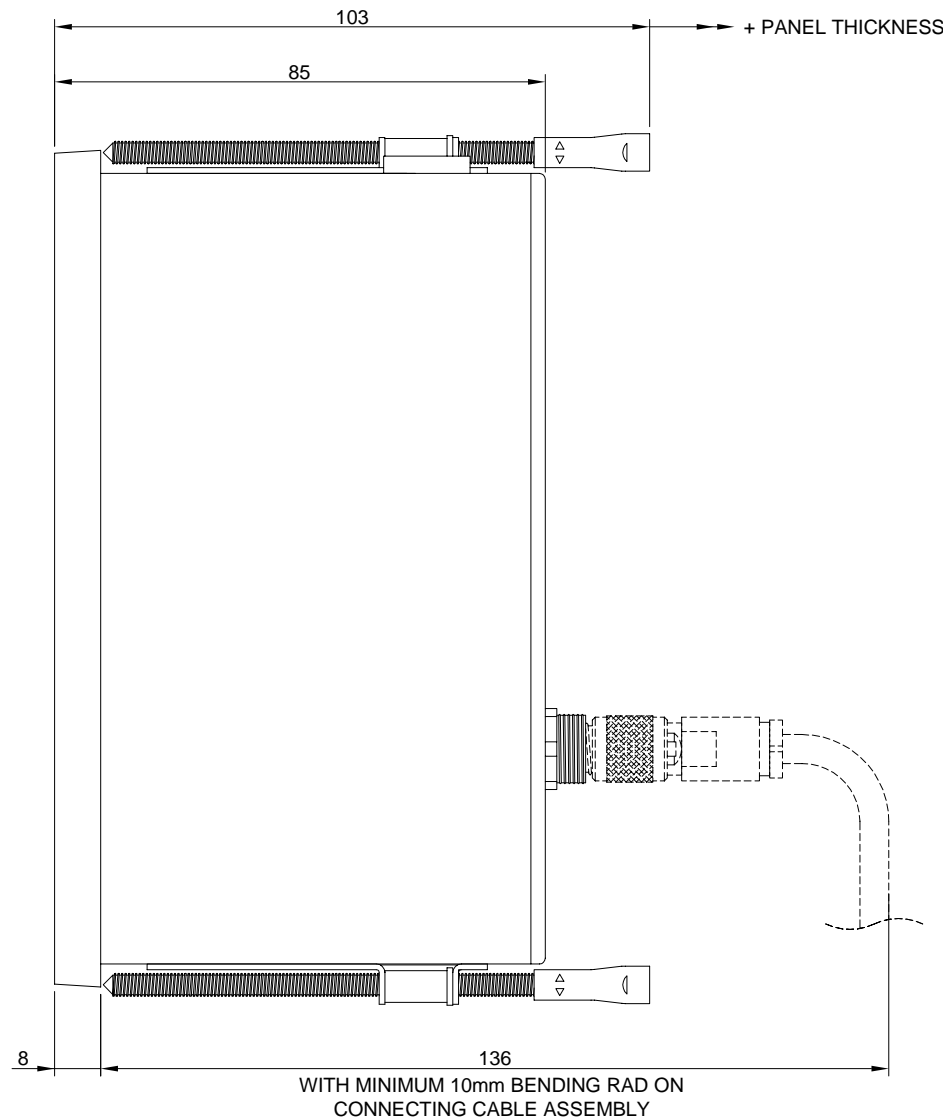
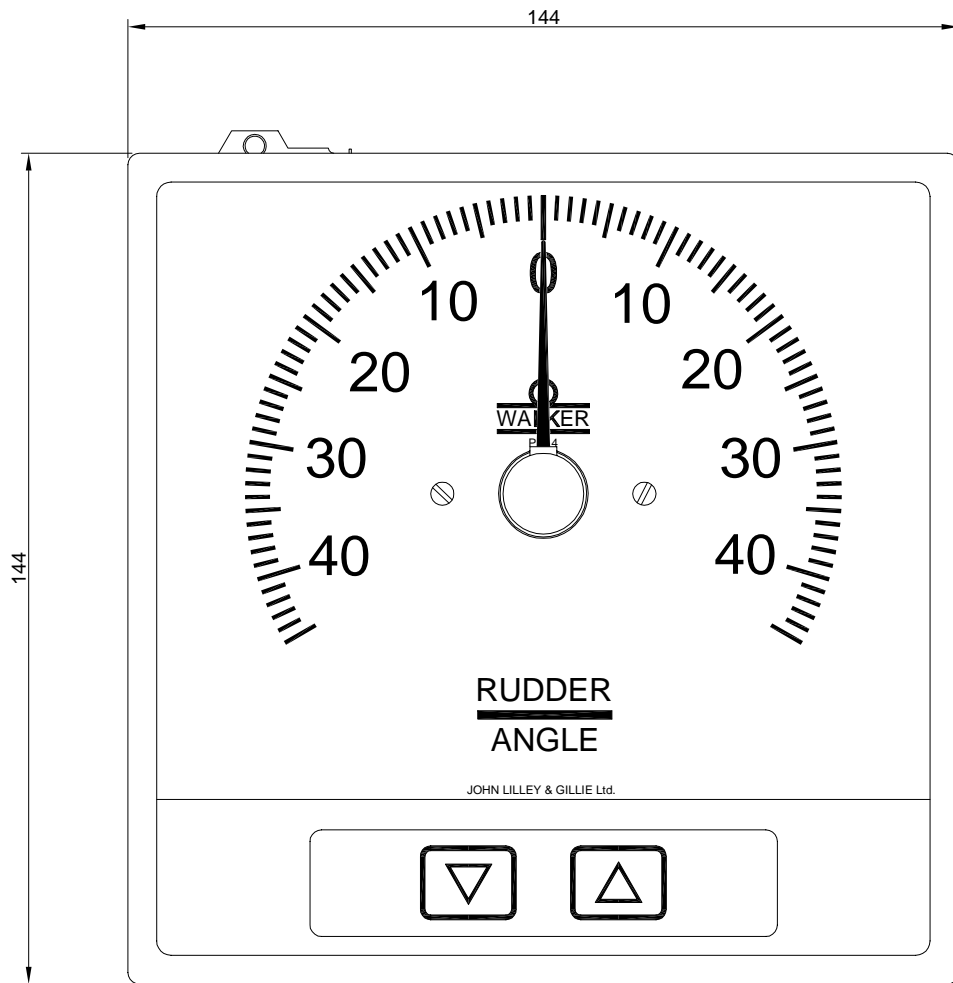


1
2
3
4
5
6
7



8	ISSUE	DATE	CHANGE No.	ISSUE	DATE	CHANGE No.	THIS DRAWING IS THE PROPERTY OF JOHN LILLEY & GILLIE LTD AND IS SUBMITTED AS CONFIDENTIAL INFORMATION WHICH MUST NOT BE USED FOR ANY PURPOSE OTHER THAN WHICH IT IS SUPPLIED. IT IS NOT TO BE COPIED OR USED FOR THE PURPOSE OF MANUFACTURE WITHOUT OUR AUTHORITY IN WRITING. JOHN LILLEY & GILLIE LTD (INCORPORATING THOMAS WALKER & SON LTD) 37-41 BISSELL STREET BIRMINGHAM, B5 7HR, ENGLAND	USED ON	DRAWN	DATE	TITLE P334 SALES DRAWING: 45°-0°-45° ANALOGUE RUDDER ANGLE INDICATOR: DIN144 x 144	
	1	03-08-04						P334	D.GREENSALL	28 July 2004		
9								MATERIAL	CHECKED BY			
								TOLERANCE	FINISH	SCALE		
								DIMENSIONS IN	CAD : \PATH\FILENAME	1:1 @ A3		
								mm	3347\3347-A3-86 - Issue 1.DWG		DRAWING No. 3347-A3-86 SHEET 1 OF 1	
	A	B	C	D	E	F	G	H	I	J	K	L